

NCA SERIES

(Ø20mm TO 100mm) Compact Cylinder

Features

- Compact/Short Stroke Cylinder
- Reduced size as against standard cylinders
- Available in both Male/ Female Shaft
- Equipped with permanent magnet for Position sensor



Material of construction

End Covers	Aluminium
Body	Aluminium Extrusion
Piston Rod	SS410/ SS420
Piston Rod Seal	NBR(70 – 75 SH)/ Viton/ EPDM/ Silicon
Cover Seals	NBR (70 - 75 SH)

NCA SERIES

(Ø20mm TO 100mm) Compact Cylinder

Technical Specifications

Cylinder Bore Ø (mm)	20	25	32	40	50	63	80	100
Stroke Length (mm)	Customized (05mm to 200mm)							
Operating Pressure (bar)	1 - 10 bar.							
Operating Temperature (° C.)	Standard 0 - 70° C. Special Seals -5 - 150° C.							
Operating Medium	Filtered Compressed Air							
Position Sensing	Via Proximity Switch							
Tolerance	Stroke Length 0-500mm - +/- 2mm Stroke Length 500-2800mm - +/- 4mm							

Force for Double Acting Cylinder

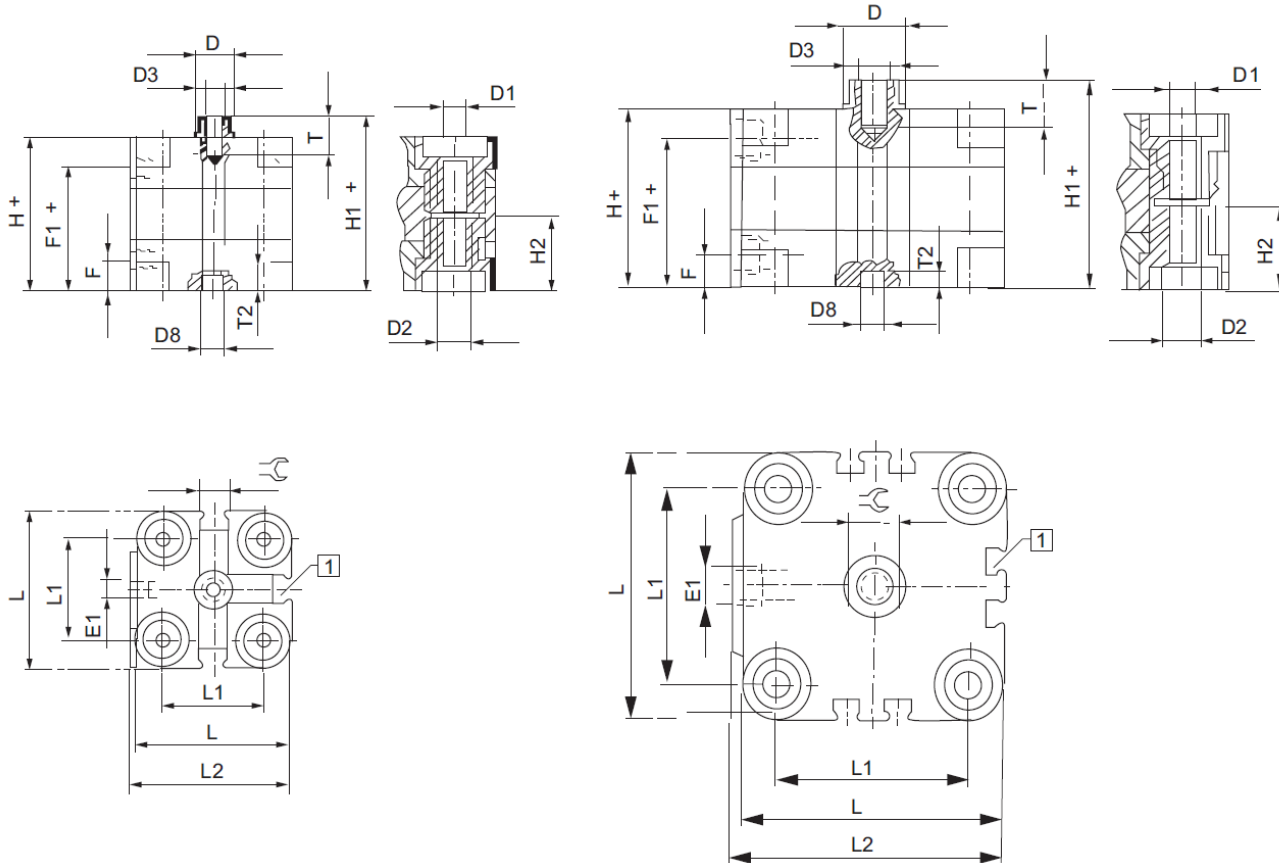
Double Acting Cylinder					
Ø Bore	Ø Piston Rod		FORCE (N)		
			3 bar	5 bar	7 bar
20	8	Advancing	92	154	216
		Retracting	69	116	162
25	8	Advancing	144	241	337
		Retracting	121	202	283
32	10	Advancing	237	394	552
		Retracting	203	339	475
40	10	Advancing	370	616	863
		Retracting	337	561	785
50	12	Advancing	578	963	1348
		Retracting	519	864	1210
63	12	Advancing	917	1529	2141
		Retracting	858	1430	2003
80	16	Advancing	1479	2466	3452
		Retracting	1387	2311	3236
100	16	Advancing	2311	3852	5393
		Retracting	2219	3698	5178

Note: Consult Factory for Force Calculations of single acting cylinder.

NCA SERIES

(Ø20mm TO 100mm) Compact Cylinder

Standard Dimensions



Bore Ø (mm)	D	D1	D2	D3	D8	E1	F	F1	H	H1	H2	H3	L1	L2
12	6	3.2	M4	M3	6	M5	6.5	28.5	35	42.5	16	47.5	18	30
16	8	3.2	M4	M4	6	M5	6.6	28.5	35	43.5	16	48.5	18	30
20	10	4.2	M5	M5	6	M5	8	31	39	46	18.5	54	22	37.5
25	10	4.2	M5	M5	6	M5	8	31	39	46	18.5	54	26	41.5
32	12	5.2	M6	M6	6	G 1/8	6.5	35.5	42	49	21.5	59	32	52
40	12	5.2	M6	M6	6	G 1/8	7.5	38	45.5	54	21.5	64	42	62.5
50	16	6.2	M8	M8	6	G 1/8	7.5	38	45.5	55.5	23.5	67.5	50	71
63	16	8.5	M10	M8	8	G 1/8	7.5	43.5	51	61.5	28.5	73.5	62	91
80	20	8.5	M10	M10	8	G 1/8	9.5	52.5	62	75	28.5	89	82	111
100	25	8.5	M10	M12	8	G 1/4	10.5	57.5	68	83.5	28.5	97.5	103	133