

NCM SERIES

(Ø16mm TO 25mm) Miniature Cylinders as per ISO 6432

Features

- In compliance to ISO 6432.
- Single/ Double Acting Type.
- Adjustable cushioning at both Ends for better control.
- Double Ended also available
- Self-Lubricating Design.



Material of construction

End Covers	Anodized Aluminium
Tube	Stainless Steel
Piston Rod	SS410/ SS304/ SS316
Piston Rod Guide	Self-Lubricating High Polymer
Piston Guide	High Polymer
Piston Rod Seal	Polyurethane/ Viton/ EPDM/ Silicon
Cover Seals	NBR (70 - 75 SH)

NCM SERIES

(Ø16mm TO 25mm) Miniature Cylinder as per ISO 6432

Technical Specifications

Cylinder Bore Ø (mm)	16	20	25
Stroke Length (mm)	Customized (5mm to 200mm).		
Operating Pressure (bar)	1 - 10 bar.		
Operating Temperature (° C.)	Standard 0 - 70° C. Special Seals -5 - 150° C.		
Operating Medium	Filtered Compressed Air.		
Cushioning	Elastic Cushioning Pads at both ends. Pneumatic cushioning, adjustable at both ends.		
Position Sensing	Via Proximity Switch.		
Tolerance	Stroke Length 0-500mm - +/- 2mm. Stroke Length 500-2800mm - +/- 4mm.		

Force for Double Acting Cylinder

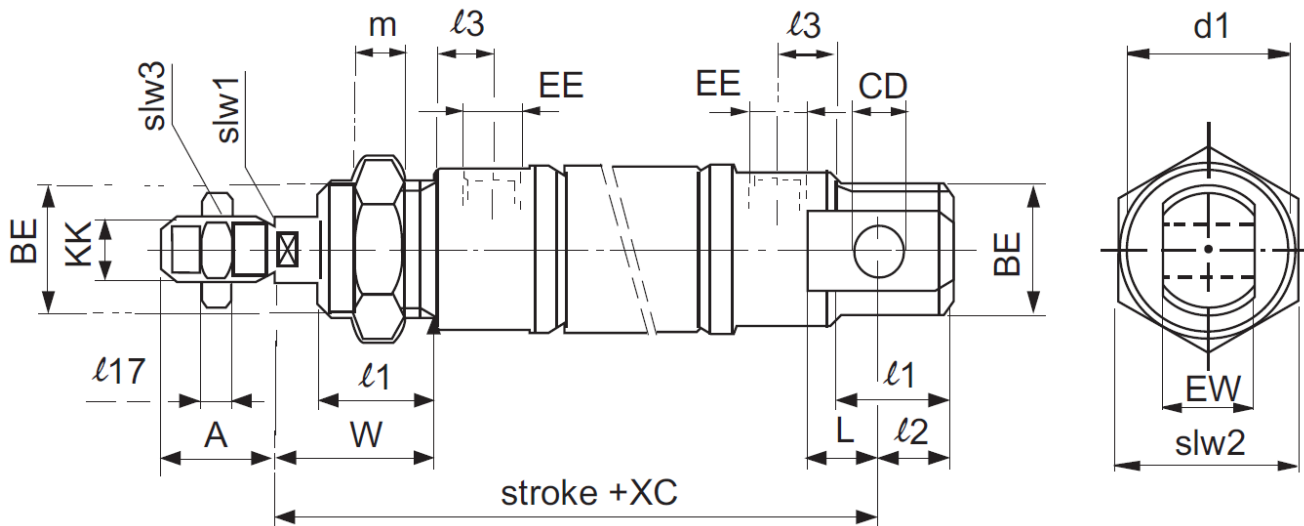
Double Acting Cylinder								
Ø Bore	Ø Piston Rod		Force (N)					
			3 bar	4 bar	5 bar	6 bar	7 bar	8 bar
16	6	Advancing	60	80	100	120	140	160
		Retracting	51	69	86	103	120	138
20	8	Advancing	94	125	157	188	219	251
		Retracting	79	105	131	158	184	211
25	10	Advancing	147	196	245	294	343	392
		Retracting	123	164	206	247	288	329

Note: Consult Factory for Force Calculations of single acting cylinder.

NCM SERIES

(Ø16mm TO 25mm) Miniature Cylinder as per ISO 6432.

Standard Dimensions



Bore Ø (mm)	A	BE	KK	L	W	XC		d1	l1	l2	l3	l17	m	slw1	slw2	slw3
						OO	MAE									
16	16	M16X1.5	M6X1	9	22	82	101.5	19	17	13	5	4	8		24	13
20	20	M22X1.5	M8X1.25	12.5	24	95	103	28	20	12	8	5	8	7	27	17
25	20	M22X1.5	M10X1.25	12.5	28	104	114	28	22	14	8	5	8	9	27	17