

NCS SERIES

(Ø32mm TO 160mm) as per ISO 15552/ ISO 6431 and VDMA 24562

Features

- In compliance to ISO 15552/ ISO 6431 & VDMA 24562.
- Single/ Double Acting Type.
- Adjustable cushioning at both Ends for better control.
- Wide varieties of mountings as per ISO 15552/ VDMA 24562.
- Self-Lubricating Design.



Material of construction

End Covers	Pressure Die Cast Aluminium
Barrel	Anodized Aluminium
Piston Rod	SS410/ SS304/ SS316
Piston	Pressure Die Cast Aluminium
Piston Rod Guide	Self-Lubricating High Polymer
Piston Guide	High Polymer
Piston Rod Seal	Polyurethane/ Viton/ EPDM/ Silicon
Cover Seals	NBR (70 - 75 SH)

NCS SERIES

(Ø32mm TO 160mm) as per ISO 15552/ ISO 6431 and VDMA 24562

Technical Specifications

Cylinder Bore Ø (mm)	32	40	50	63	80	100	125	160
Stroke Length (mm)	Customized (15mm to 2800mm).							
Operating Pressure (bar)	1 - 10 bar.							
Operating Temperature (° C.)	Standard 0 - 70° C. Special Seals -5 - 150° C.							
Operating Medium	Filtered Compressed Air.							
Cushioning	Elastic Cushioning Pads at both ends. Pneumatic cushioning, adjustable at both ends.							
Position Sensing	Via Proximity Switch.							
Tolerance	Stroke Length 0-500mm - +/- 2mm. Stroke Length 500-2800mm - +/- 4mm.							

Force for Double Acting Cylinder

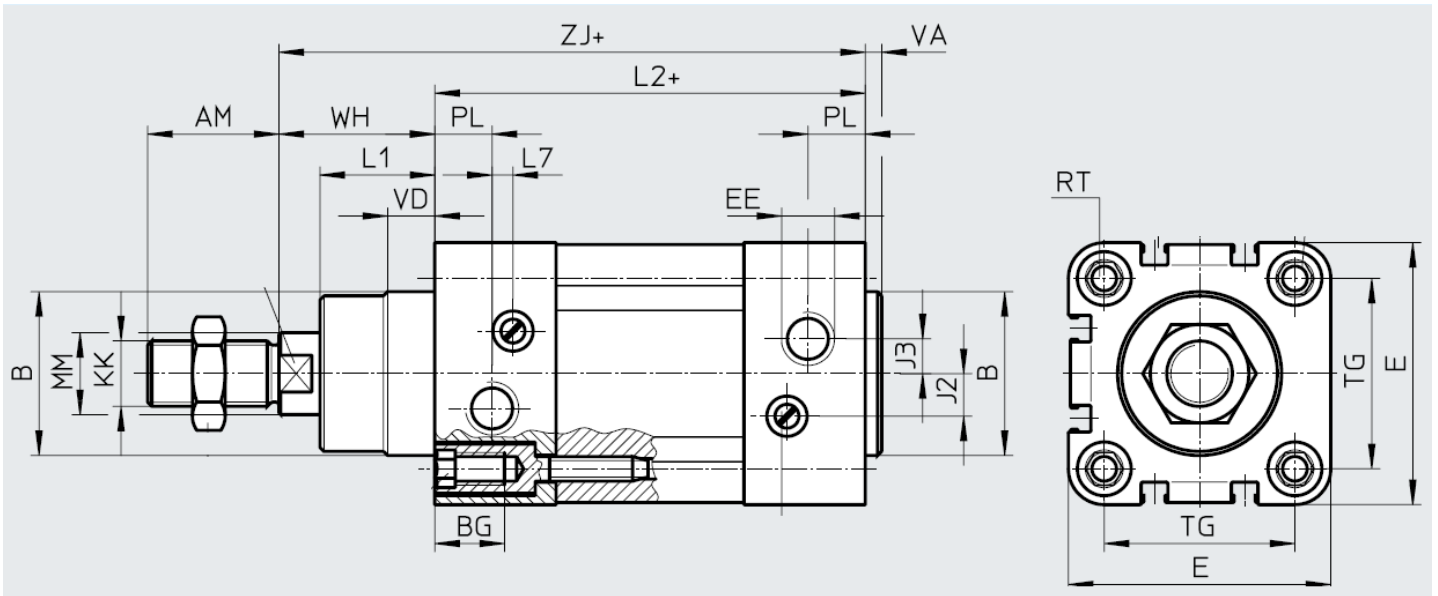
Double Acting Cylinder								
Ø Bore	Ø Piston Rod		Force (N)					
			3 bar	4 bar	5 bar	6 bar	7 bar	8 bar
32	12	Advancing	239	319	398	478	558	637
		Retracting	206	276	345	415	483	552
40	16	Advancing	374	498	622	747	871	995
		Retracting	311	420	528	633	739	844
50	20	Advancing	583	778	972	1166	1361	1555
		Retracting	495	658	825	990	1155	1320
63	20	Advancing	926	1234	1543	1851	2160	2468
		Retracting	843	1124	1405	1682	1867	2248
80	25	Advancing	1500	2000	2500	3000	3500	4000
		Retracting	1359	1812	2265	2721	3171	3624
100	25	Advancing	2344	3125	3906	4687	5468	6249
		Retracting	2209	2945	3682	4418	5156	5892
125	32	Advancing	3662	4882	6103	7323	8544	9764
		Retracting	3440	4587	5734	6881	8028	9174
160	40	Advancing	5999	7999	9998	11998	13997	15997
		Retracting	5655	7540	9425	11310	13195	15080

Note: Consult Factory for Force Calculations of single acting cylinder.

NCS SERIES

(Ø32mm TO 160mm) as per ISO 15552/ ISO 6431 and VDMA 24562

Standard Dimensions



Bore Ø (mm)	AM	B Ø	BG	E	EE.	KK	L1	L2+	MM Ø	RT	TG	VA	VD	WH	ZJ+
32	22	30	16	45	G 1/8	M10X1.25	18	94	12	M6	32.5	4	10	26	120
40	24	35	16	54	G 1/4	M12X1.25	21.5	105	16	M6	38	4	10.5	30	135
50	32	40	17	64	G 1/4	M16X1.5	28	106	20	M8	46.5	4	11.5	37	143
63	32	45	17	75	G 3/8	M16X1.5	28.5	121	20	M8	56.5	4	15	37	158
80	40	45	17	93	G 3/8	M20X1.5	34.7	128	25	M10	72	4	15.7	46	174
100	40	55	17	110	G 1/2	M20X1.5	38.2	138	25	M10	89	4	19.2	51	189
125	54	60	22	134	G 1/2	M27X2.0	46	160	32	M12	110	6	20.5	65	225